

## CSP-4DM Wall Mount Bracket



### Features

- Aesthetic design
- Wall mount bracket
- Material: aluminum & SECC

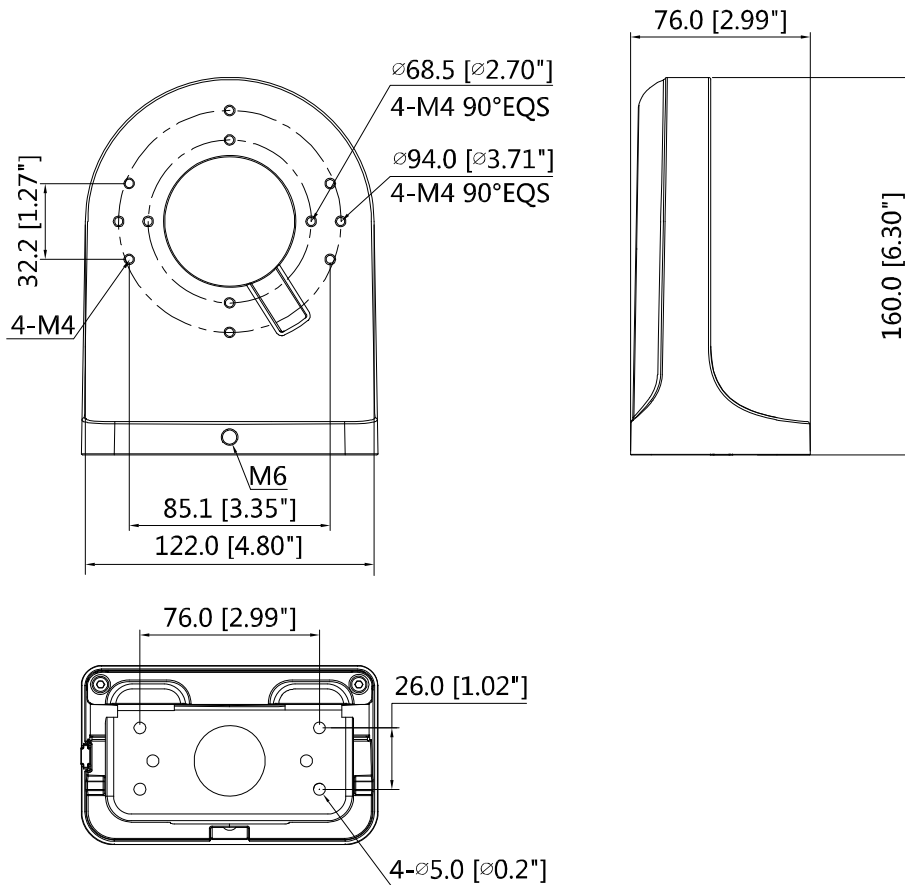
### Technical Specifications

<b>Model</b>	CSP-4DM
<b>General</b>	
Material	Aluminum & SECC
Dimension(WxHxD)	160mmx122mmx76mm (6.30"x4.80"x2.99")
Weight	0.49kg(1.08lb)
Load Bearing	1kg(2.2lb)
Color	White
Operating Temperature	-40°C ~ +60°C (-40°F ~ +140°F)
Humidity	<90% RH
Applicable Model	Please see "Accessory Selection"

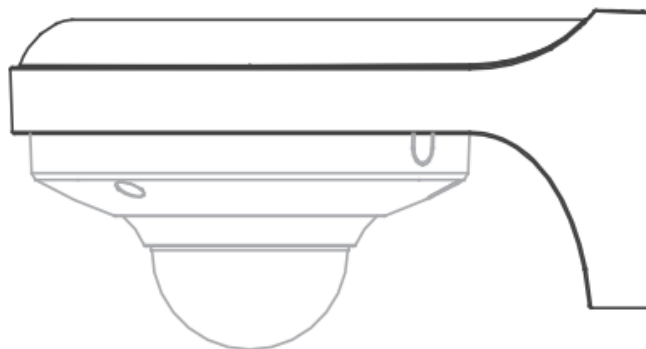
### Order Information

Type	Part Number	Description
Camera Mount	CSP-4DM	Wall mount bracket

### Dimensions (mm/inch)



## Application



## Package Information

- Wall mount bracket \*1
- M4 screw \*4
- ST4 screw \*4
- Plastic anchor \*4
- Wrench \*1