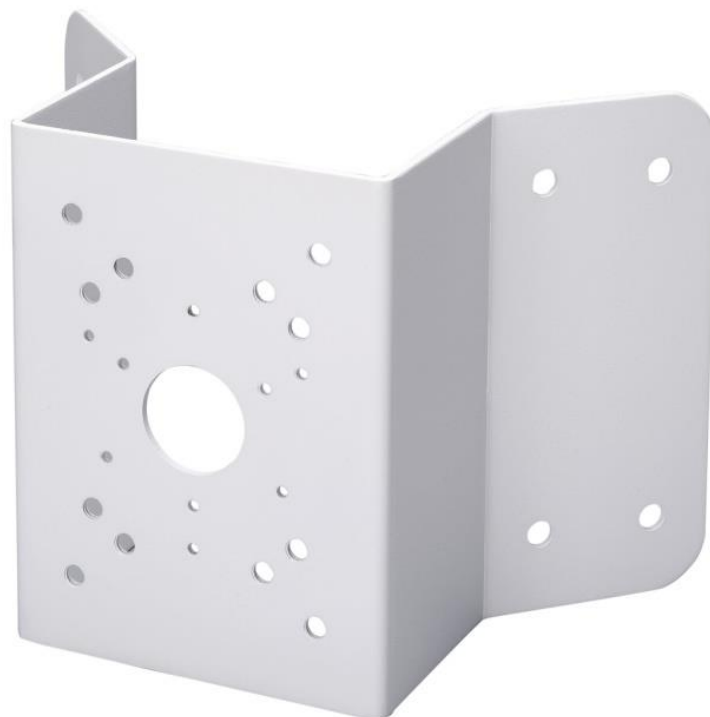


# CSP-CORNER

## Corner Mount Bracket



### Features

- Material: SECC
- Corner mount bracket
- Aesthetic design

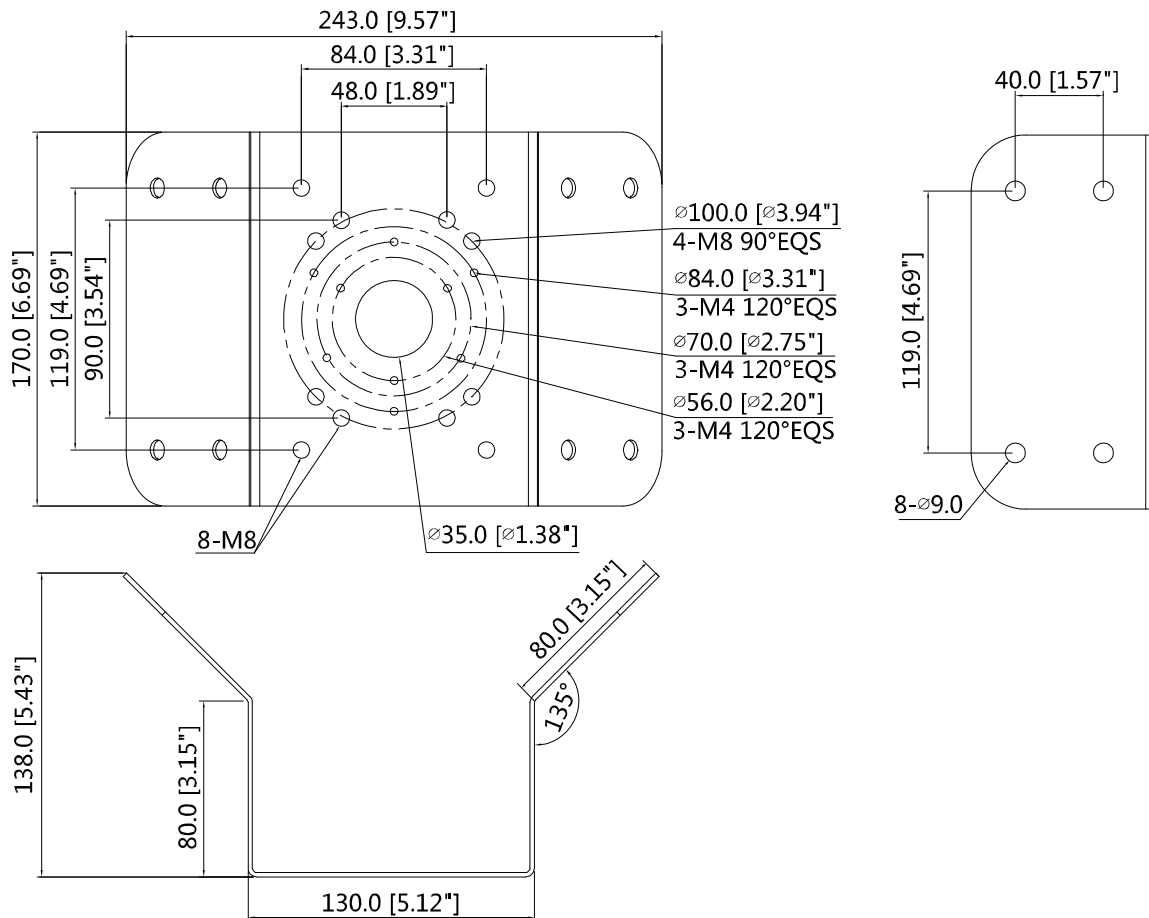
### Technical Specifications

<b>Model</b>	<b>CSP-CORNER</b>
<b>General</b>	
Material	SECC
Dimension(WxHxD)	243mmx170mmx138mm (9.57"x6.69"x5.43")
Pipe Thread	N/A
Operating Temperature	-40°C ~ +60°C (-40°F ~ +140°F)
Humidity	0~90% RH
Load Bearing	10.0kg(22.05lb)
Weight	1.7kg(3.75lb)
Applicable Model	Please see "Accessory Selection"

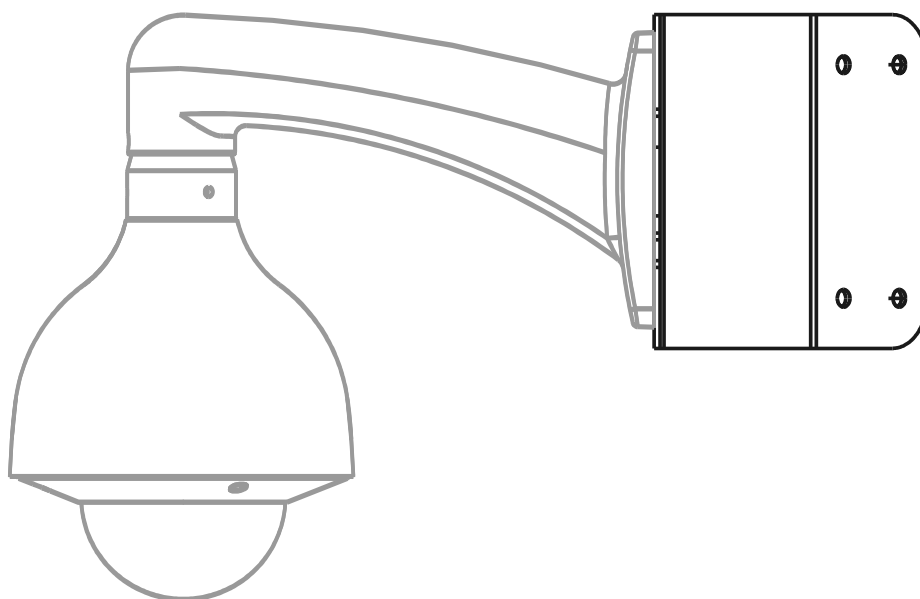
### Order Information

Type	Part Number	Description
Camera Mount	CSP-CORNER	Corner mount bracket
	CSP-CORNER	Corner mount bracket

### Dimensions (mm/inch)



## Application



## Package Information

- Corner mount bracket \*1
- M8x25 screw \*4
- Metal anchor \*4
- Wrench \*1