

CSP-DJB1

Junction Box



Features

- Aesthetic design
- Material: aluminum
- Junction box

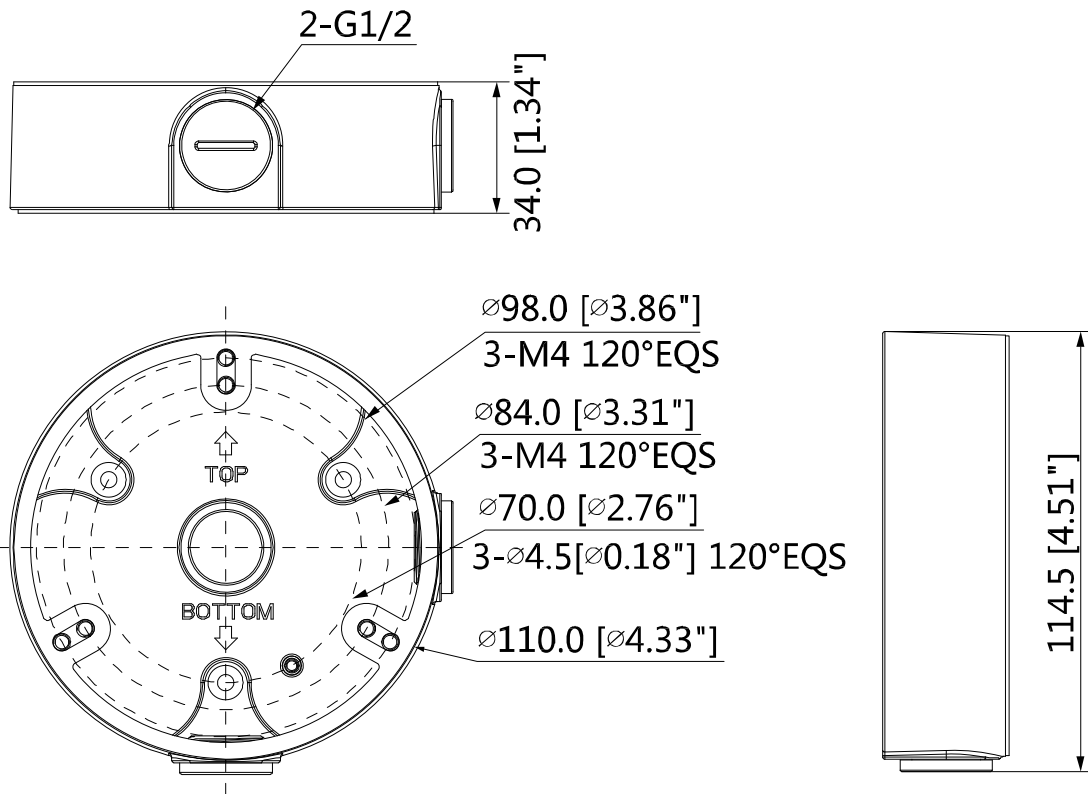
Technical Specifications

Model	CSP-DJB1
General	
Material	Aluminum
Dimension	Φ110.0mmx34.0mm (Φ4.33"x1.34")
Inch Thread	M20(G1/2")
Load Bearing	1.0kg(2.2lb)
Weight	0.19kg(0.42lb)
Color	White
Operating Temperature	-40°C ~ +60°C (-40°F ~ +140°F)
Humidity	0~90% RH
Applicable Model	Please see "Accessory Selection"

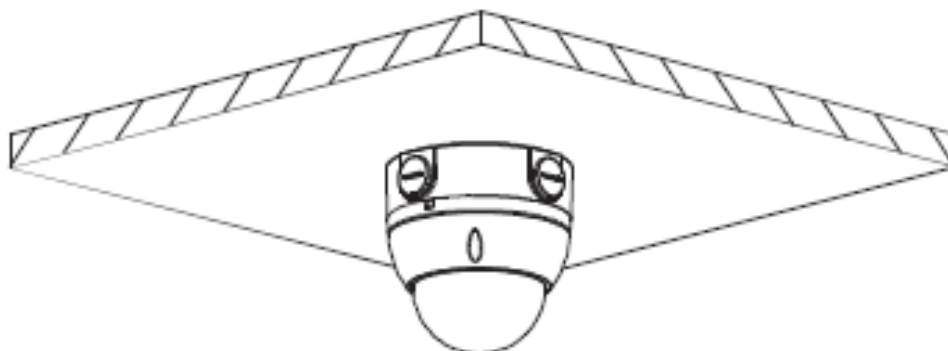
Order Information

Type	Part Number	Description
Camera Mount	CSP-DJB1	Junction box
	CSP-DJB1	Junction box

Dimensions (mm/inch)



Application



Package Information

- Junction box *1
- M4x10 screw *3
- ST4x25 screw *3
- Plastic anchor *3
- Water joint *1
- Wrench *1