

# NVR1P8



## Key Features

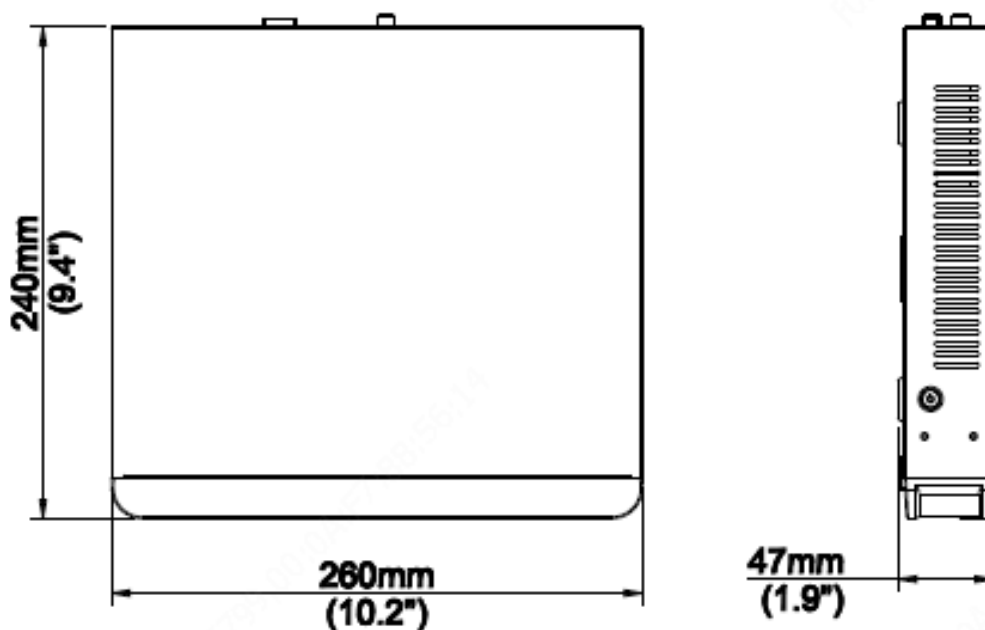
- Support Ultra 265/H.265/H.264 video formats
- 8-channel input
- Third-party IP cameras supported with ONVIF conformance: Profile S, Profile G, Profile T
- Support 1-ch HDMI, 1-ch VGA, HDMI at up 4K(3840x2160) resolution
- HDMI and VGA simultaneous output
- Up to 8MP resolution recording
- 1 SATA HDD up to 10 TB
- Support cloud upgrade

## Specifications

| Model                     |  |
|---------------------------|--|
| <b>Video/Audio Input</b>  |  |
| IP Video Input            | 8-ch   |
| Two-way Audio Input       | 1-ch, RCA  |
| <b>Network</b>            |  |
| Incoming Bandwidth        | 80Mbps   |
| Outgoing Bandwidth        | 64Mbps   |
| Remote Users              | 128  |
| Protocols                 | P2P, UPnP, NTP, DHCP, PPPoE  |
| <b>Video/Audio Output</b> |  |
| HDMI/VGA Output           | HDMI:<br>3840x2160/30Hz, 1920x1080p/60Hz, 1920x1080p/50Hz, 1600x1200/60Hz, 1280x1024/60Hz,<br>1280x720/60Hz, 1024x768/60Hz<br>VGA:<br>1920x1080p/60Hz, 1920x1080p/50Hz, 1600x1200/60Hz, 1280x1024/60Hz, 1280x720/60Hz, 1024x768/60Hz |
| Recording Resolution      | 4K/5MP/4MP/3MP/1080p/960p/720p/D1/2CIF/CIF   |
| Audio Output              | 1-ch, RCA  |
| Synchronous Playback      | 8-ch   |

|                           |  |
|---------------------------|--|
| Corridor Mode Screen      | 3/4/5/7/9  |
| <b>Decoding</b>           |  |
| Decoding format           | Ultra 265/H.265/H.264  |
| Liveview/Playback         | 4K/5MP/4MP/3MP/1080p/960p/720p/D1/2CIF/CIF                         |
| Capability                | 2 x 4k@30, 3 x 5MP@30, 4 x 4MP@30, 5 x 3MP@30, 8 x 1080p@30        |
| <b>Hard Disk</b>          |  |
| SATA                      | 1 SATA interface   |
| Capacity                  | up to 10TB for each disk   |
| <b>External Interface</b> |  |
| Network Interface         | 1 RJ45 10M/100M self-adaptive Ethernet Interface                   |
| USB Interface             | Rear panel: 1 x USB2.0, 1 x USB3.0                                 |
| <b>PoE</b>                |  |
| Interface                 | 8 independent 100 Mbps PoE network interfaces                      |
| Max Power                 | Max 30W for single port<br>Max 108W in total (13.5W for each)      |
| Supported Standard        | IEEE 802.3at, IEEE 802.3af   |
| <b>General</b>            |  |
| Power Supply              | 52V DC<br>Power Consumption: ≤8 W (without HDD)                    |
| Working Environment       | -10°C ~ +55°C (+14°F ~ +131°F), Humidity ≤ 90% RH (non-condensing) |
| Dimensions (W×D×H)        | 260mm × 240mm × 47mm (10.2"×9.4"×1.9 ")                            |
| Weight (without HDD)      | 1kg (2.20 lb)  |

## Dimensions



# Rear Panel

