

# Network Video Recorder

SV-NVR432-N.v2



GREEN LINE

## Key Features

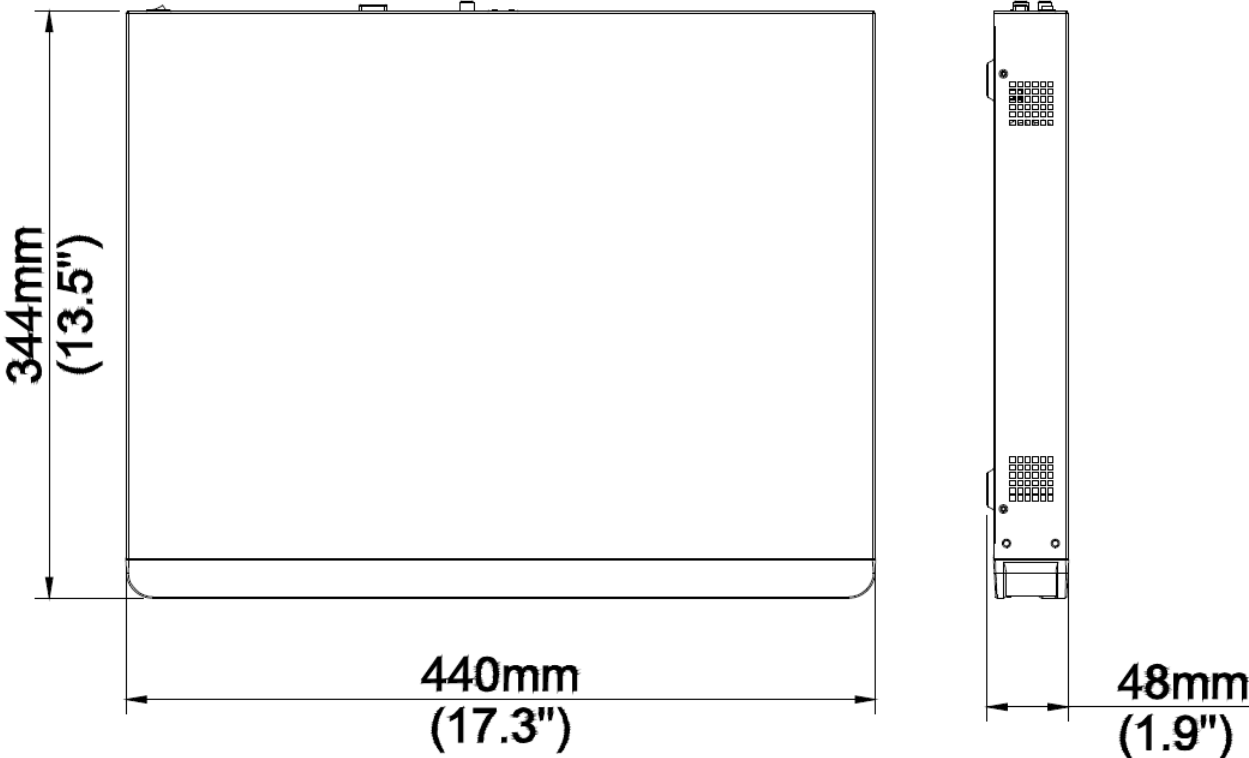
- Support Ultra H.265/H.265/H.264 video formats
- 32-channel input
- Supports mainstream cameras of ONVIF conformance(Profile S, Profile G, Profile T ) and RTSP protocols
- Support 1-ch HDMI, 1-ch VGA. HDMI up to 4K (3840x2160) resolution
- HDMI and VGA independent outputs provided
- Up to 12 Megapixels resolution recording
- 4 SATA HDDs, Up to 6TB for each HDD
- Support RAID 1, 5
- Various fisheye dewarping modes for live view and playback for both web interface and GUI
- ANR technology to enhance the storage reliability when the network is disconnected
- Support cloud upgrade

## Specifications

Model	SV-NVR432-N.v2	
<b>Video/Audio Input</b>		
IP Video Input		32-ch
Two-way Audio Input	1-ch, RCA	
<b>Network</b>		
Incoming Bandwidth	320Mbps	
Outgoing Bandwidth	320Mbps	
Remote Users	128	
Protocols	TCP/IP, P2P, UPnP, NTP, DHCP, PPPoE, HTTP, HTTPS, DNS, DDNS, SNMP, SMTP, NFS	
<b>Video/Audio Output</b>		
HDMI/VGA Output	VGA: 1920x1080p/60Hz, 1920x1080p/50Hz, 1600x1200/60Hz, 1280x1024/60Hz, 1280x720/60Hz, 1024x768/60Hz HDMI: 4K (3840x2160)/30Hz, 1920x1080p/60Hz, 1920x1080p/50Hz, 1280x1024/60Hz, 1280x720/60Hz, 1024x768/60Hz	
Recording Resolution	12MP/8MP/6MP/5MP/4MP/3MP/1080p/960p/720p/D1/2CIF/CIF	
Audio Output	1-ch, RCA	
Audio Compression	G.711A, G.711U	
Synchronous Playback	16-ch	
Live View Display		1/4/6/8/9/16/25/36
Corridor Mode Screen		3/4/5/7/9/10/12/16/32
<b>Snapshot</b>		
FTP/Schedule/Event Snapshot	16-ch snapshot, up to 1080P resolution	
<b>Decoding</b>		
Decoding Format	Ultra 265, H.265, H.264	
Live View/Playback	12MP/8MP/6MP/5MP/4MP/3MP/1080p/960p/720p/D1/2CIF/CIF	
Capability		1 x 12MP@30, 2 x 4K@30, 5 x 4MP@30, 10 x 1080P@30, 22 x 720P@30, 32 x D1
<b>Hard Disk</b>		
SATA	4 SATA interfaces	
Capacity	up to 6TB for each HDD	
eSATA	NA	
Disk Group	Support	
RAID	RAID 1,5	
<b>Smart</b>		
VCA Detection by Camera	Face Detection, Face Comparison, Intrusion Detection, Cross Line Detection, Enter Area, Leave Area, Defocus Detection, Scene Change Detection, Object Left Behind, Object Removed, Auto Tracking	
VCA Search	Face Search, Face Comparison Search, Behavior Search, Vehicle Search	
People Counting	People Counting	
Smart Intrusion Prevention (SIP), Face Detection, Face	Total 8-ch	

comparison, Vehicle Detection by Camera	
<b>General Alarm</b>	
General Alarm	Motion, Tampering, Human Body Detection, Video Loss, Input Alarm, Audio Detection
Alert Alarm	IP Conflict, Network Disconnected, Disk Offline , Disk Abnormal, Illegal Access, Hard Disk Space Low, Hard Disk Full, Recording/Snapshot Abnormal
<b>External Interface</b>	
Network Interface	2 RJ45 10M/100M/1000M self-adaptive Ethernet Interfaces
USB Interface	Front panel: 1 x USB2.0,Rear panel: 1 x USB2.0 1 x USB3.0
RS232	NA
RS485	1
Alarm In	16-ch
Alarm Out	4-ch
<b>General</b>	
Power Supply	12V DC/5A Power Consumption: ≤ 12 W (without HDD)
Working Environment	-10°C~+ 55°C (+14°F~+131°F), Humidity ≤ 90% RH (non-condensing)
Dimensions (W×D×H)	440mm × 344mm × 48mm (17.3" × 13.5"× 1.9")
Weight (without HDD)	≤3Kg (6.61lb)
<b>Certification</b>	
Certification	UL CE FCC RoHS WEEE

## Dimensions



Rear Panel

